

VHF54

4 dB Marine VHF Glass Fibre Antenna 1.37 m with fixed 10 or 20 m cable

Long range high gain International Maritime VHF Antenna for the leisure market

- VHF antenna especially made for leisure boats
- Economical replacement for all professional marine VHF antennas
- Improved gain compared to other high quality marine VHF antennas
- Reduced antenna weight compared to similar marine VHF antennas
- Matching designs available for other frequency bands
- For mounting on all US style brackets with 1"-14NF threaded stud

Electrical Specifications:

Frequency	156 - 162.5 MHz (International Maritime VHF-band)
Bandwidth	6.5 MHz
Antenna Type	End-fed full 1/2 λ dipole - no groundplane needed
Impedance	50 ohm
VSWR	< 1.6:1
Polarisation	Vertical
Gain	4 dB (Marine), 0.5 dBd, 2.6 dBi
Radiation Pattern	Omni-directional
Max. Input Power	150 W
Antistatic Protection	Direct Ground (DC-short)

Mechanical Specifications:

Color	White
Length	1375 mm
Weight	700 g (with 10 m cable), 1060 g (with 20 m cable)
Mounting	On brackets with 1"-14NF threaded stud (US style)
Mounting place	On deck or mast
Materials	PU-painted glass fibre, PCB, PE, copper and chrome plated solid brass
Operating temperature	-55C to +70C (IEC 60068-2-1, IEC 60068-2-2)
Connector	No connector supplied
Cable	10 or 20 m white RG58 cable



Serial no.	On product label
------------	------------------

Ordering information:

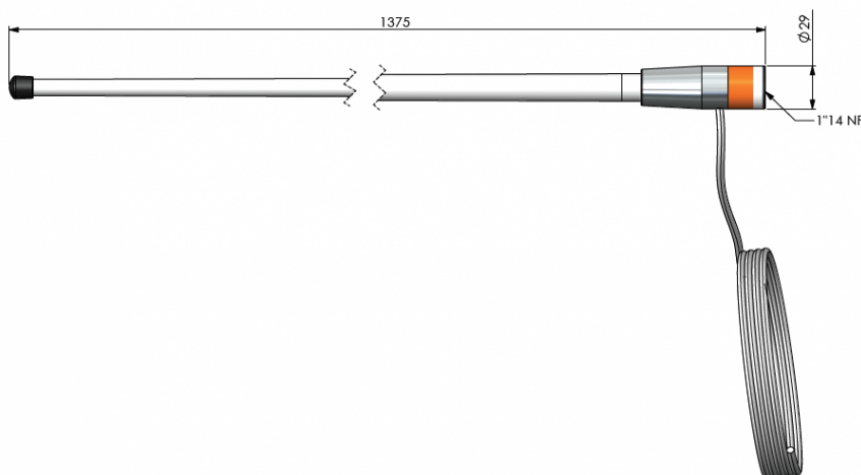
P/N	11054-610 (Antenna with 10 m cable - bulk packing)
P/N	11054-611 (Antenna with 10 m cable - in Polybag)
P/N	11054-612 (Antenna with 10 m cable - in Carton tube)
P/N	11054-620 (Antenna with 20 m cable - bulk packing)
P/N	11054-621 (Antenna with 20 m cable - in Polybag)
P/N	11054-622 (Antenna with 20 m cable - in Carton tube)

Packaging Information:

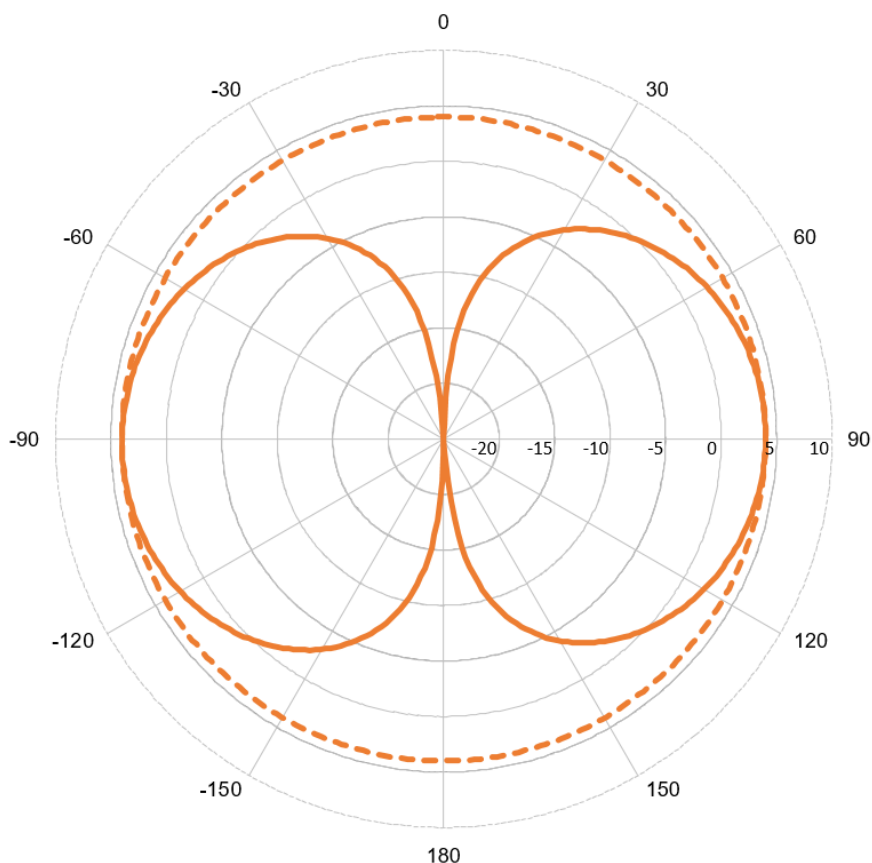
Type	Bulk packing or individually packing in Polybag or Carton tube (See "ORDERING INFORMATION")
Size	Approx. 1.5 m



Outline Drawing



Typical Radiation Pattern



Typical VSWR

